

Yamato

Dataweigh®

SNACK VERSION

Self-Diagnosis
Self-Recovery
Optimum Control
Remote Maintenance



Multihead Weigher for Snacks (SN Version)

The snack industry has been driven by its own specific requirements for high speed weighing performance and as the fastest developing food sector, that demand is set to increase. In accelerating the drive for higher line speeds, Yamato has taken its extensive, well-proven multihead technology to provide tailored fast weighing system without compromising complete accuracy whilst ensuring long-term reliability and customer support.



Excellent Hygiene

All operating systems, including the radial feeders are totally enclosed to provide superior Hygiene. And, all product contact surfaces are removable without tools and feeder trays and buckets are fully interchangeable.

Drive System

SN uses accurate and repeatable stepper motors for bucket door actuation. Motor patterns are adjustable and programmable to ensure the highest speed and efficiency for a wide variety of products.

Improved Distribution of Product Into Buckets

SN uses high amplitude Center Vibrator and Linear Feeder for high bulk density products, and also Auto Feed Control function adjusts the amplitude of vibration by each program for optimum weighing performance.



Feed bucket

Spring-Free Bucket

All bucket doors are driven by stepper motor without external springs. The stepper motor adjusts the action of the door quick or slow to meet the situation of the products character or the target weight. Since spring-free bucket reduces seasoning dust accumulation, it avoids the fault caused by dust penetration and clears the sanitary problem.

Radius Corner Bucket Design

Radius corner bucket is ease of cleaning, which reduces the downtime. It is hard to stick the tiny products on the bucket corners.

Single Door Bucket

As single door bucket drops the products along with the chute angle, it gains faster speed to reduce the products jumping. The gentle small angle hit to the chute wall reduce the products breakage, too.

Individual Type Collating Chutes (ADW-514SN)

The Individual Type Collating Chutes are correctly set to aim the center point. The dumped products travel the same distance from any position of the bucket. The Individual Type Collating Chutes prevent the products from rotating on the chutes. The dumped products straightly slide down on the chutes surface in a moment.

Diverter Infeed & Collection Buckets as standard (ADW-516SN)



AICC-SE; Advanced Interactive Command Console RCU-810-A



Advanced Software Operations

- Multilingual (17 languages)
- 300 programs sorted by number, name or optional barcode
- Auto Programming tool
- Fully programmable operational parameters
- Individual, Step Radial control (both amplitude and time)
- Auto inhibit and Auto tare
- Production diagnostics (histogram Production parameters, Scale operation parameters)
- New powerful CPU has made it possible to assist line operators with all operational functions.
- Web Camera (option)
- Bar Code Reader (option)
- Display of temperature data to comply with HACCP requirements
- Access port for Key board, Ethernet, CompactFlash™ to memorize Production parameters and Scale operation parameters.
- Built-in Printer

COLOR Touch Screen

- The large (10.4") color touch screen offers a clear graphic display
- Color choice enhanced setup procedures minimizes potential errors
- Clear display in the most adverse light conditions
- Quick screen to screen response

Additional and ancillary features

- Mixing
- Counting
- Priority head
- Stagger dump
- Multi-discharge

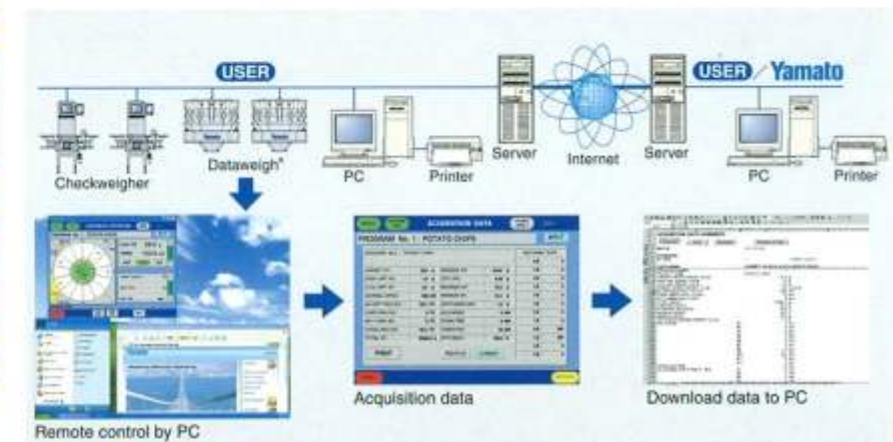
Self-diagnosis

- Self check to RAM/ROM, communications, monitoring of voltage to actuator unit, zero point and load cell
- Event logs



Web Camera

- Web camera for real-time monitoring of product conditions on the Top Cone and Linear Feeder Pans
- Built in Web camera to photograph product or bag samples, simplifies set up and reduces possible operator errors during set up.



Remote Control and Maintenance through Network

Network Capabilities (Option)

- Remote control by PC through LAN
- Multiple unit control from a single AICC-SE
- Update software through network after installation
- Print through LAN
- Data acquisition
- Software for accumulation of data acquisition (COM, OPC interface)
- Feed back control between Checkweigher and Multihead Weigher

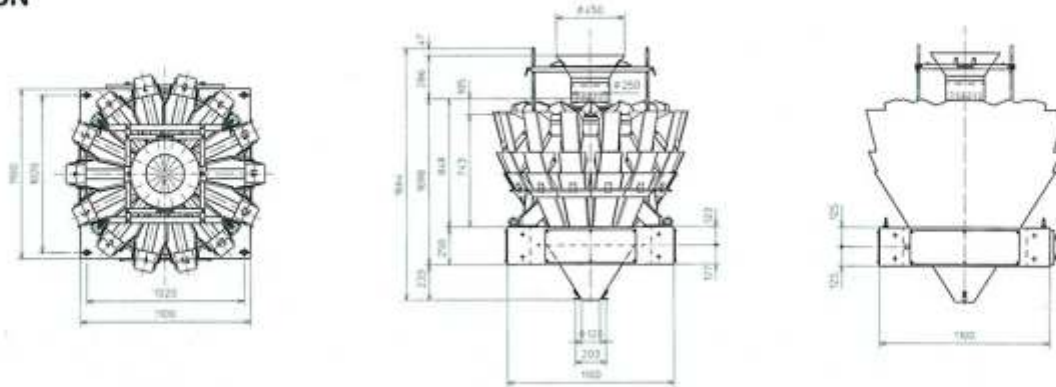
Internet (Option)

- Comprehensive trouble shooting pages through Internet
- Send an E-mail with attachment of current program and system setting
- Receive an E-mail from Yamato including program setting and system definition
- Trouble shooting and FAQs are available at AICC-SE support corner of Yamato web page
- On-line version up of software

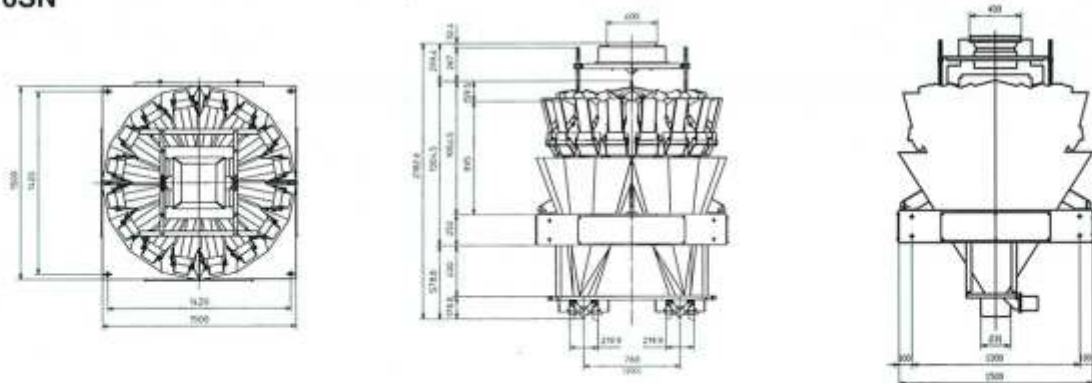


DIMENSIONS

ADW-514SN



ADW-516SN



SPECIFICATIONS

MODEL	ADW-514SN	ADW-516SN
No. of Weigh Head	14	16 (with Memory Buckets)
Max. Speed	150 wpm	100 wpm×2
Max. Combination Volume	3,000 ml	
Weighing Range	4~500 g	
Min. Increment digit	0.1 g	
Max. Product's Length	80 mm	
Main Dimensions	1,275(W)×1,288(D)×1,738(H)mm	1,500(W)×1,500(D)×1,705(H)mm
Controller	RCU-810-A Color LCD display with touch screen	
Hopper Actuator	Stepping Motor driven	
Power requirement	AC 200-240V (+10%~-15%), single phase, 50/60Hz 2.0 KVA	
Air requirement	Not required.	0.4 MpaG
Standard attachment	Infeed Funnel	Diverter Infeed / Collection Buckets
Net Weight	640 kg	890 kg

- This machine is covered by one or more patents worldwide.
- All illustrations and specifications are subject to change without notice and any drawing dimensions are not to scale and are approximate.

YAMATO SCALE CO., LTD.

5-22 Saenba-cho, Akashi, Japan 673-8688
 Telephone : +81(78)918-5566-5567-5568
 Telefax : +81(78)918-5552
 URL : <http://www.yamato-scale.co.jp/>
 E-mail : export@yamato-scale.co.jp



Yamato Scale GmbH

Hanns-Martin-Schleyer-Str. 13,
 D-47877 Willich, Germany
 Telephone : +49(0)2154 9159-10
 Telefax : +49(0)2154 40626
 URL : <http://www.yamatoscale.com/>
 E-mail : sales@yamatoscale.com

Yamato Scale France

Z.A. des Montatons, 30 rue Denis Papin
 91240 Saint-Michel sur Orge, France
 Telephone : +33(0)1 6972 1530
 Telefax : +33(0)1 6972 1534
 URL : <http://www.yamato.fr/>
 E-mail : Ventes@yamato.fr

Yamato Scale Russia

107140 Russia, Moscow
 Ul. Verkhnyaya Krasnoselskaya 3 / 1
 Telephone : +7(495)980-64-26
 Telefax : +7(495)980-64-27
 URL : <http://www.yamatoscale.ru/>
 E-mail : salesru@yamatoscale.com

Yamato Scale Dataweigh [UK] Ltd.

5 Maple Park, Lowfields Avenue, Leeds,
 LS12 6HH, England
 Telephone : +44(0)113 271 7999
 Telefax : +44(0)113 271 7012
 URL : <http://www.yamatoscale.co.uk/>
 E-mail : sales@yamatoscale.co.uk

Yamato Corporation Dataweigh Division

6306 W. Eastwood Court
 Mequon, WI 53092, U.S.A.
 Telephone : +1(262)236-0000
 Telefax : +1(262)236-0036
 URL : <http://www.yamatodataweigh.com/>
 E-mail : dataweigh@yamatocorp.com

Shanghai Yamato Scale Co., Ltd.

Rm.813, No.877 Jiaxing Tower, Dongfang Road,
 Pu Dong, Shanghai, China
 Telephone : +86(21)68767539/50812795/50813299
 Telefax : +86(21)58309397
 URL : <http://www.yamatosh.com>